

REMER



ILLUMINATED
MIRROR
COLLECTION

Reflect Refinement

REFLECT

REFINEMENT

Of the future

We want to reflect the best for you and your space. Through specialising in designing and manufacturing premium illuminated mirrors, we are confident in our years of marketing experience that we provide our clients with excellence. Our vision of excellence is not just achieved through the design, but in our service, our empathy and our passion.



CONTENTS

Mirrors



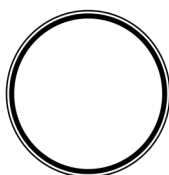
MIRO P. 9



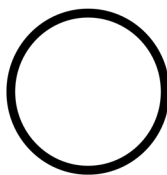
LUCY P. 11



KARA P. 13



SPHERE P. 15



ECLIPSE P. 17

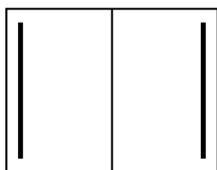


GATSBY P. 19

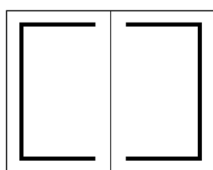


OTIS P. 21

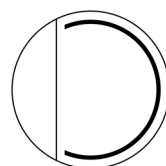
Shaving Cabinets



AMBER P. 25



VERA P. 27



PEARL P. 29

FREQUENTLY ASKED QUESTIONS P. 30

MIRROR SPECIFICATIONS P. 31



SMARTER CONTEMPORARY BUILT TO LAST

These elements in unison are basic thinking behind every product that we design in Remer. It derives from our philosophy that a bathroom should have the balance of timeless aesthetic beauty and thoughtful practical design.

Every function that Remer mirrors and shaving cabinets offer is designed to maximise the visibility of your grooming space and make your daily routine more efficient.

FUNCTIONS



DEMISTER



BLUETOOTH AUDIO



MAGNIFIER



DIGITAL CLOCK



COLOUR TEMPERATURE CHANGE



DIMMABLE

FEATURES



COPPER FREE MIRRORS



DURABLE PACKAGING



5 YEAR WARRANTY

- Refer to final page for detailed T&C

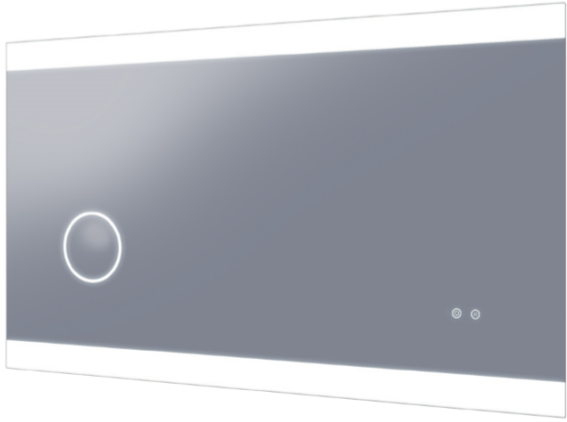




MIRRORS



MIRO



<i>Features</i>	STANDARD	PREMIUM	MAGNIFIQUE	DELUXE	CHIC
LED LIGHTING	●	●	●	●	●
DEMISTER	●	●	●	●	●
BLUETOOTH AUDIO		●			
MAGNIFIER			●		●
CLOCK				●	●
<i>Available Sizes</i>					
750 x 900	✓	✓			
900 x 700	✓	✓			
1200 x 700	✓	✓	✓	✓	✓
1500 x 750	✓	✓	✓	✓	
1800 x 850	✓	✓	✓		

FEATURES AND BENEFITS

- Copper Free Mirror
- Touch Sensor
- Backlit
- Orientation: Horizontal

LIGHTING SPECIFICATIONS

- CCT: 6500K - Daylight
- CRI: >80

INSTALLATION

- Wall Mount
- Hardwire
- Input Voltage: 220-240v 50Hz

Refer to page 31 for more information



LUCY



<i>Features</i>	STANDARD	MAGNIFIQUE
LED LIGHTING	●	●
DEMISTER	●	●
MAGNIFIER		●
<i>Available Sizes</i>		
900 x 700	✓	✓
1200 x 750	✓	✓
1500 x 850	✓	✓

FEATURES AND BENEFITS

- Copper Free Mirror
- Touch Sensor
- Frontlit
- Orientation: Horizontal

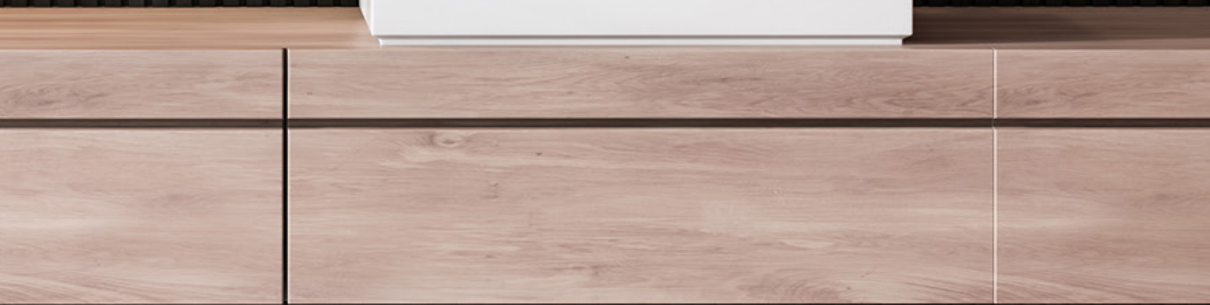
LIGHTING SPECIFICATIONS

- CCT: 6500K - Daylight
- CRI: >80

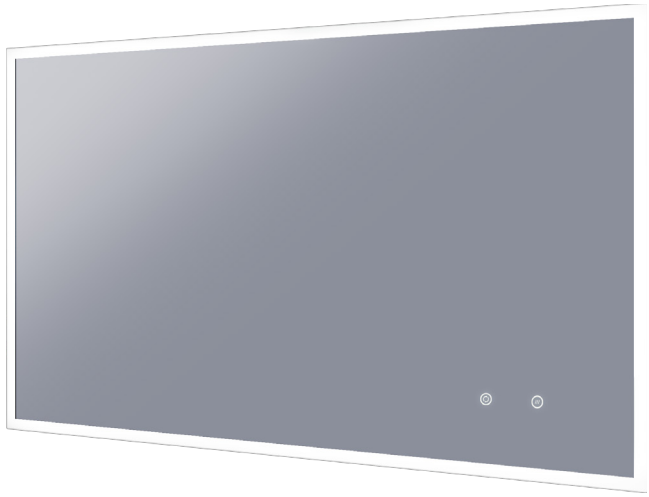
INSTALLATION

- Wall Mount
- Input Voltage: 220-240v 50Hz

Refer to page 35 for more information



KARA



<i>Features</i>	STANDARD	PREMIUM
LED LIGHTING	●	●
ADJUSTABLE LIGHT COLOUR	●	●
DEMISTER	●	●
BLUETOOTH AUDIO		●
<i>Available Sizes</i>		
900 x 600	✓	✓
1200 x 750	✓	✓

FEATURES AND BENEFITS

- Copper Free Mirror
- Touch Sensor
- Backlit
- Acrylic Frame
- Orientation: Horizontal / Vertical

LIGHTING SPECIFICATIONS

- CCT: Adjustable
- CRI: >80

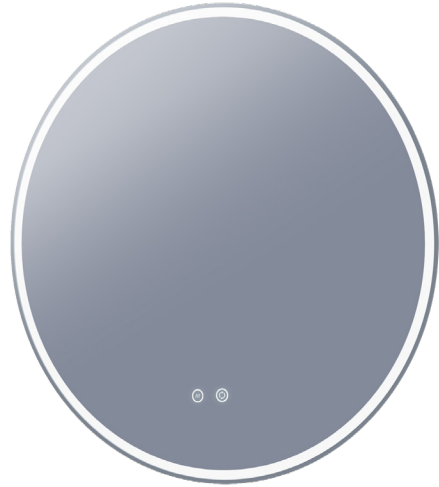
INSTALLATION

- Wall Mount
- Input Voltage: 220-240v 50Hz

Refer to page 37 for more information



SPHERE



*Optional Extra: Aluminium Coloured Frames **



MATT
BLACK



GUN
METAL



BRUSHED
NICKEL



BRUSHED
BRASS



ROSE
GOLD

<i>Features</i>	STANDARD	DEMISTER	PREMIUM
LED LIGHTING	●	●	●
DEMISTER		●	●
BLUETOOTH AUDIO			●
ADJUSTABLE LIGHT COLOUR			●
<i>Available Sizes</i>			
600	✓	✓	✓
800	✓	✓	✓

FEATURES AND BENEFITS

Copper Free Mirror
Touch Sensor
Backlit

LIGHTING SPECIFICATIONS

CCT: 6500K - Daylight
CRI: >80

INSTALLATION

Wall Mount
Input Voltage: 220-240v 50Hz

Refer to page 38 for more information

* Aluminium coloured frames are made-to-order. Please allow 3 days lead time. Colours may vary.



ECLIPSE



*MDF Coloured Frame Options:**



MATT WHITE



MATT BLACK

<i>Features</i>	STANDARD	DIMMABLE
LED LIGHTING	●	●
ADJUSTABLE LIGHT COLOUR	●	●
DEMISTER	●	●
DIMMABLE		●
<i>Available Sizes</i>		
600	✓	✓
800	✓	✓

FEATURES AND BENEFITS

Copper Free Mirror
Touch Sensor
Frontlit

LIGHTING SPECIFICATIONS

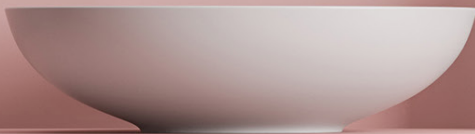
CCT: Adjustable
CRI: >80

INSTALLATION

Wall Mount
Input Voltage: 220-240v 50Hz

Refer to page 40 for more information

* Frame colours may vary.



GATSBY



*Optional Extra: Aluminium Coloured Frames **



MATT
BLACK



GUN
METAL



BRUSHED
NICKEL



BRUSHED
BRASS



ROSE
GOLD

<i>Features</i>	STANDARD
LED LIGHTING	●
DEMISTER	●
<i>Available Sizes</i>	
450 x 900	✓

FEATURES AND BENEFITS

Copper Free Mirror
Touch Sensor
Backlit

LIGHTING SPECIFICATIONS

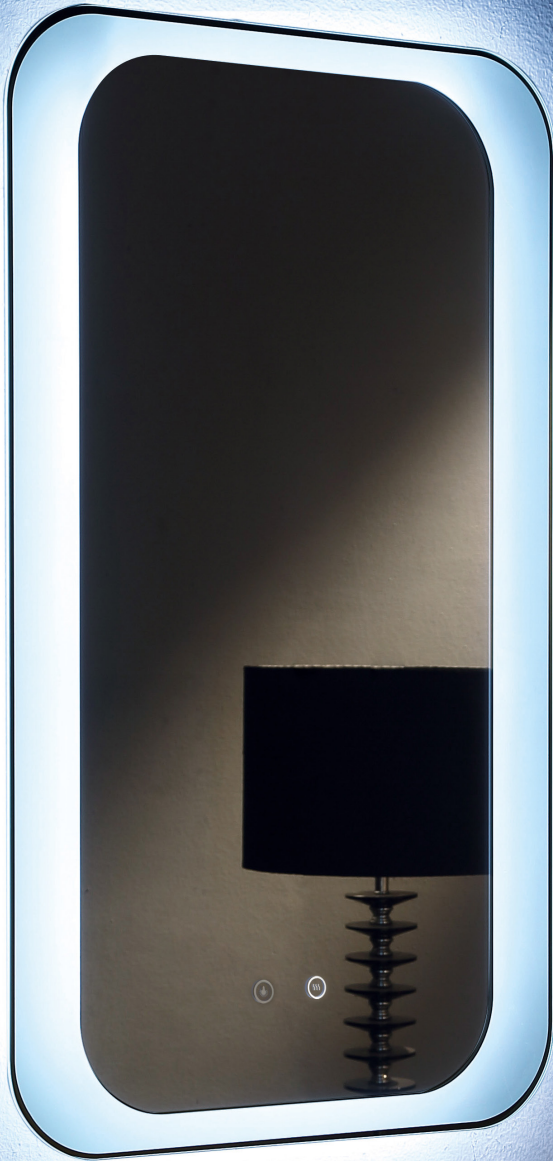
CCT: 6500K - Daylight
CRI: >80

INSTALLATION

Wall Mount
Input Voltage: 220-240v 50Hz

Refer to page 42 for more information

* Aluminium coloured frames are made-to-order. Please allow 3 days lead time. Colours may vary.



OTIS



<i>Features</i>	STANDARD	PREMIUM
LED LIGHTING	●	●
DEMISTER	●	●
BLUETOOTH AUDIO		●
<i>Available Sizes</i>		
500 x 850	✓	
800 x 600		✓

FEATURES AND BENEFITS

- Copper Free Mirror
- Touch Sensor
- Backlit
- Orientation: Horizontal/ Vertical

LIGHTING SPECIFICATIONS

- CCT: 6500K - Daylight
- CRI: >80

INSTALLATION

- Wall Mount
- Input Voltage: 220-240v 50Hz

Refer to page 43 for more information





SHAVING
CABINETS



AMBER



<i>Features</i>	STANDARD
LED LIGHTING	●
DEMISTER	●
<i>Available Sizes</i>	
750 x 700 x 145	✓
900 x 700 x 145	✓
1200 x 700 x 145	✓
1500 x 700 x 145 (3 doors)	✓

FEATURES AND BENEFITS

- Copper Free Mirror
- Touch Sensor
- Demister on All Doors
- Soft-close
- Frontlit
- Concealed Wire Technology
- Finish: Silver Aluminium
- Two Adjustable Tempered Glass Shelves
- Double-sided Mirror Doors

INSTALLATION

- Input Voltage: 220-240v 50Hz
- Includes Wall Mount Split Batten
- Mounting Holes Are Provided for Semi-Recessed Mounting

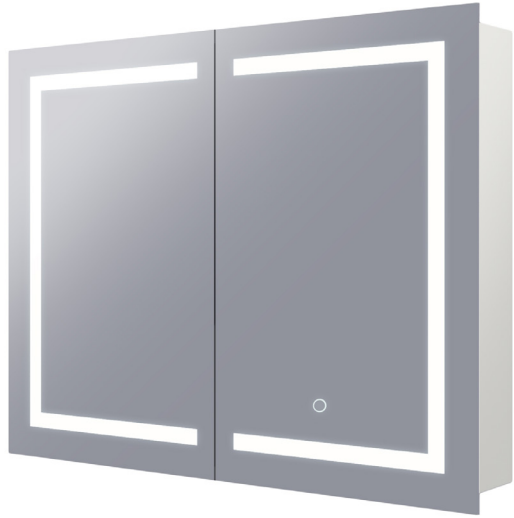
LIGHTING SPECIFICATIONS

- CCT: 6500K - Daylight
- CRI: >80

Refer to page 44 for more information



VERA



<i>Features</i>	STANDARD
LED LIGHTING	●
DEMISTER	●
<i>Available Sizes</i>	
750 x 700 x 145	✓
900 x 700 x 145	✓
1200 x 700 x 145	✓
1500 x 700 x 145 (3 doors)	✓

FEATURES AND BENEFITS

- Copper Free Mirror
- Touch Sensor
- Demister on All Doors
- Soft-close
- Frontlit
- Concealed Wire Technology
- Finish: Silver Aluminium
- Two Adjustable Tempered Glass Shelves
- Double-sided Mirror Doors

INSTALLATION

- Input Voltage: 220-240v 50Hz
- Includes Wall Mount Split Batten
- Mounting Holes Are Provided for Semi-Recessed Mounting

LIGHTING SPECIFICATIONS

- CCT: 6500K - Daylight
- CRI: >80

Refer to page 45 for more information



PEARL



<i>Features</i>	STANDARD
LED LIGHTING	●
DEMISTER	●
<i>Available Sizes</i>	
900 x 146	✓

FEATURES AND BENEFITS

- Copper Free Mirror
- Touch Sensor
- Demister on All Doors
- Soft-close
- Frontlit
- Concealed Wire Technology
- Finish: Silver Aluminium
- Two Adjustable Tempered Glass Shelves
- Single-sided Mirror Door

INSTALLATION

- Input Voltage: 220-240v 50Hz
- Includes Wall Mount Split Batten
- Mounting Holes Are Provided for Semi-Recessed Mounting

LIGHTING SPECIFICATIONS

- CCT: 6500K - Daylight
- CRI: >80

Refer to page 46 for more information

FREQUENTLY ASKED QUESTIONS

WHAT IS BACKLIT AND FRONTLIT?

Backlit

Backlit-designed mirror has light emanate from behind the mirror towards the entire space, providing ambient lighting and aesthetic to the room. The ambient lighting illuminates the back of the wall, creating a textural wall with layers of depth especially on a tiled wall.

Frontlit

A Frontlit-designed mirror/shaving cabinet has forward facing lighting which is brighter for user as it allows light to come forward to the face. Frontlit is an very effective lighting as it reduces the overhead shadows typically from downlights and therefore, it suits best for grooming.

WHICH MIRROR HAS THE BRIGHTEST LIGHT?

Eclipse with Matt White Frame has the brightest light. Light can be dimmed down by the colour of the wall. For example, A black wall will absorb most of the lumens, creating a more mysterious look. White is the best for the reflection of colour.

WHICH SHAVING CABINET HAS THE BRIGHTEST ILLUMINATION?

Vera has the brightest illumination as it has light surrounding the mirror and doesn't create a shadow.

CAN THE SHAVING CABINETS BE RECESSED?

All our shaving cabinets can be semi recessed.

DO I NEED A TRANSFORMER FOR THE MIRROR?

Transformers are already included.

WHAT IS THE WARRANTY?

5 year warranty.

WHAT IS THE BEST COLOUR TEMPERATURE FOR A BATHROOM?

According to the Australian Energy Rating government website, daylight is the best for a bathroom setting as it is a practical area for daily grooming. Our mirrors are designed based on this principle.

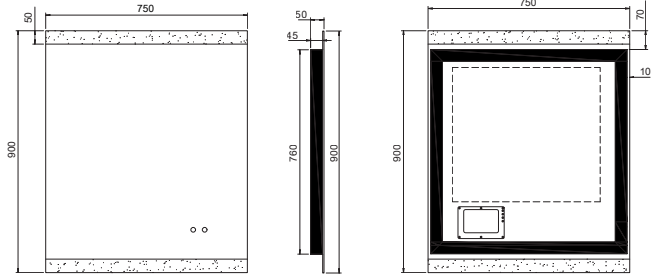
MIRO

Size: 750

Miro [RMI75]

- 750 x 900
- Demister

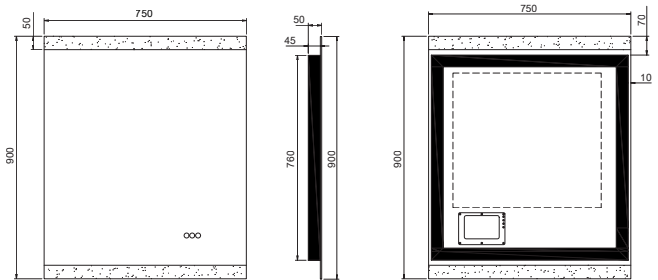
RRP: \$559



Miro Premium [RMIP75]

- 750 x 900
- Demister
- Bluetooth

RRP: \$ 859

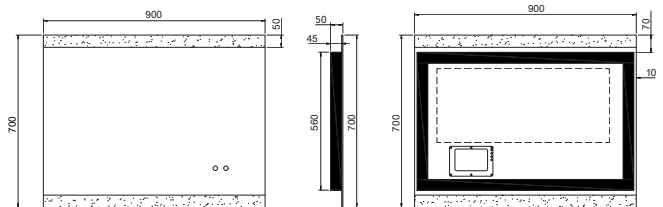


Size: 900

Miro [RMI90]

- 900 x 700
- Demister

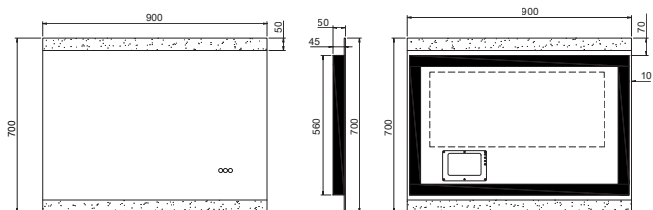
RRP: \$ 599



Miro Premium [RMIP90]

- 750 x 900
- Demister
- Bluetooth

RRP: \$ 899



Sizes are in mm and nominal and should be checked prior to installation.

MIRO

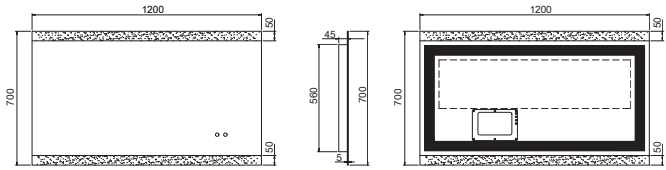
Size: 1200

Miro

[RMI120]

- 1200 x 700
- Demister

RRP: \$ 659

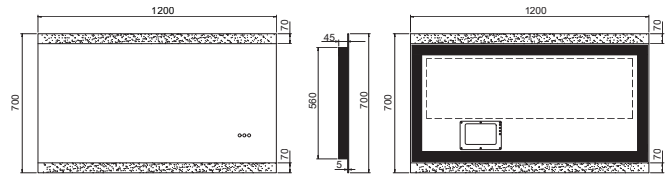


Miro Premium

[RMIP120]

- 1200 x 700
- Demister
- Bluetooth

RRP: \$ 959

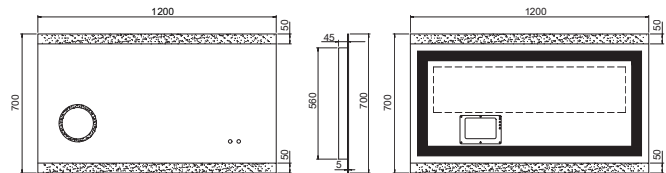


Miro Magnifique

[RMIM120]

- 1200 x 700
- Demister
- Magnifier

RRP: \$ 759

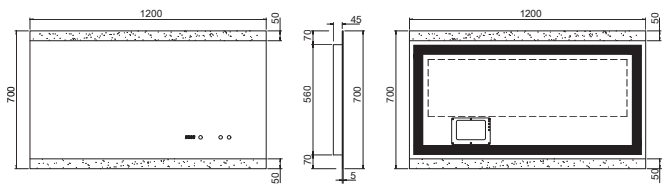


Miro Deluxe

[RMID120]

- 1200 x 700
- Demister
- Digital Clock

RRP: \$ 759

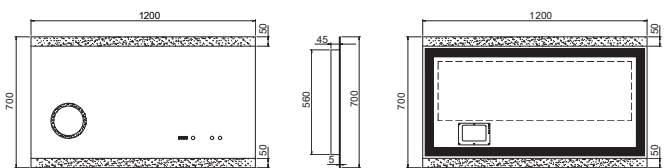


Miro Chic

[RMIC120]

- 1200 x 700
- Demister
- Magnifier
- Digital Clock

RRP: \$ 859



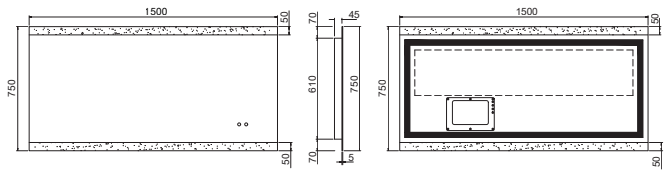
Sizes are in mm and nominal and should be checked prior to installation.

Size: 1500

Miro
[RMI150]

- 1500 x 750
- Demister

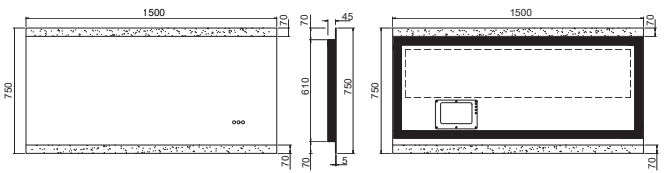
RRP: \$ 939



Miro Premium
[RMIP150]

- 1500 x 750
- Demister
- Bluetooth

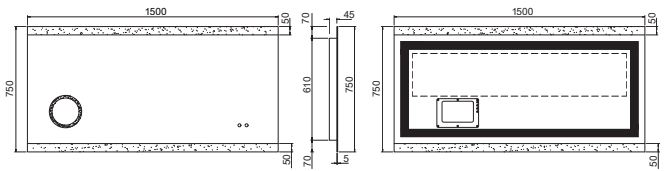
RRP: \$ 1,239



Miro Magnifique
[RMIM150]

- 1500 x 750
- Demister
- Magnifier

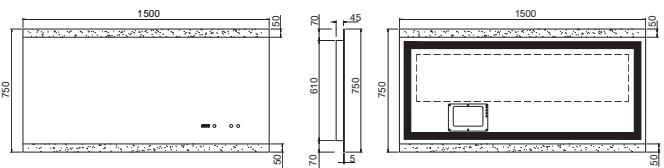
RRP: \$ 1,039



Miro Deluxe
[RMID150]

- 1500 x 750
- Demister
- Digital Clock

RRP: \$ 1,039



Sizes are in mm and nominal and should be checked prior to installation.

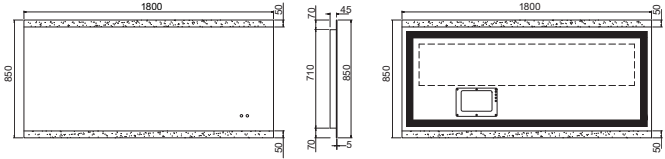
MIRO

Size: 1800

Miro [RMI180]

- 1800 x 850
- Demister

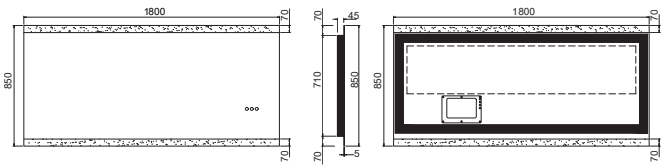
RRP: \$ 1,199



Miro Premium [RMIP180]

- 1800 x 850
- Demister
- Bluetooth

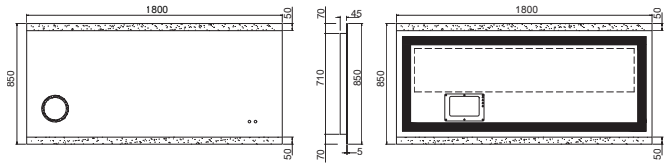
RRP: \$ 1,399



Miro Magnifique [RMIM180]

- 1800 x 850
- Demister
- Magnifier

RRP: \$ 1,299



Sizes are in mm and nominal and should be checked prior to installation.

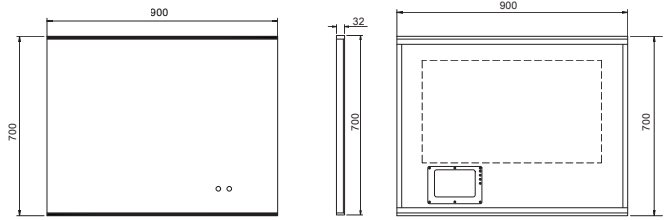
LUCY

Size: 900

Lucy [RLU90]

- 900 x 700
- Demister

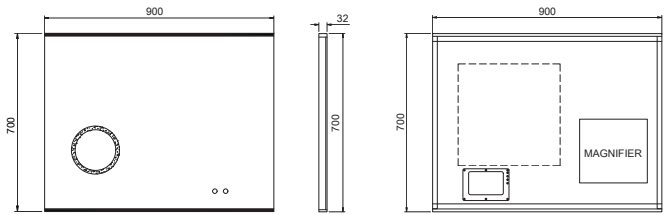
RRP: \$ 659



Lucy Magnifique [RLUM90]

- 900 x 700
- Demister
- Magnifier

RRP: \$ 759

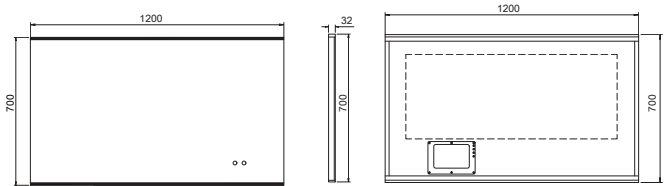


Size: 1200

Lucy [RLU120]

- 1200 x 700
- Demister

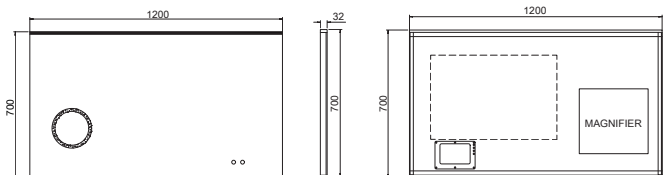
RRP: \$ 799



Lucy Magnifique [RLUM120]

- 1200 x 700
- Demister
- Magnifier

RRP: \$ 899



Sizes are in mm and nominal and should be checked prior to installation.

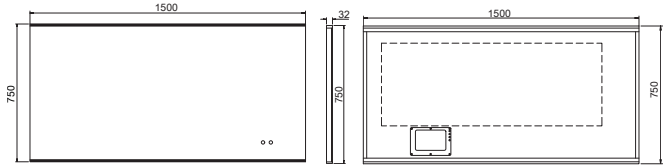
LUCY

Size: 1500

Lucy [RLU150]

- 1500 x 750
- Demister

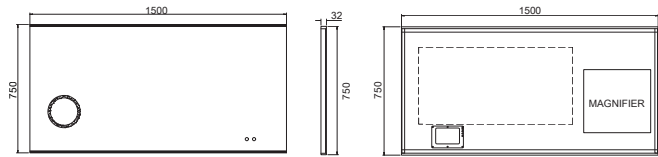
RRP: \$ 1,199



Lucy Magnifique [RLUM150]

- 1500 x 750
- Demister
- Magnifier

RRP: \$ 1,299



Sizes are in mm and nominal and should be checked prior to installation.

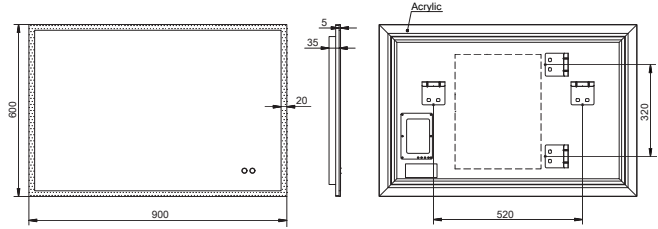
KARA

Size: 900

Kara [RKA90]

- 900 x 600
- Demister
- Colour Temperature Change

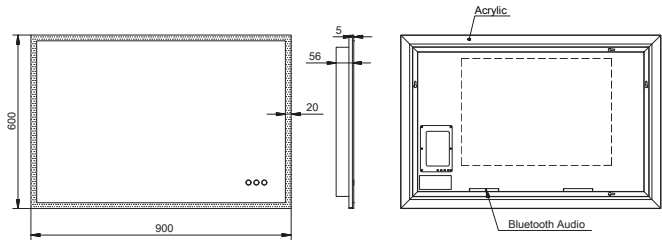
RRP: \$ 799



Kara Premium [RKAP90]

- 900 x 600
- Demister
- Bluetooth
- Colour Temperature Change

RRP: \$ 1,099

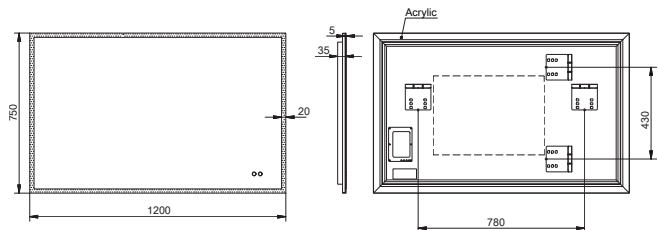


Size: 1200

Kara [RKA120]

- 1200 x 750
- Demister
- Colour Temperature Change

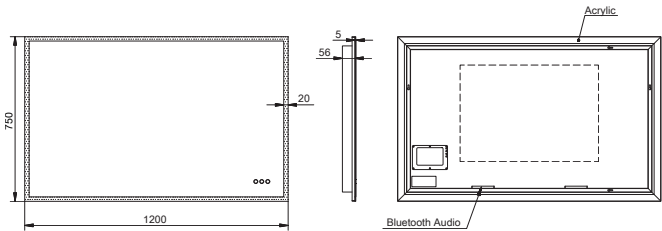
RRP: \$ 999



Kara Premium [RKAP120]

- 1200 x 750
- Demister
- Bluetooth
- Colour Temperature Change

RRP: \$ 1,299



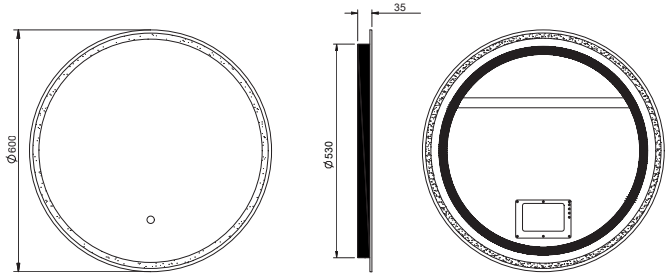
Sizes are in mm and nominal and should be checked prior to installation.

SPHERE

Size: 600

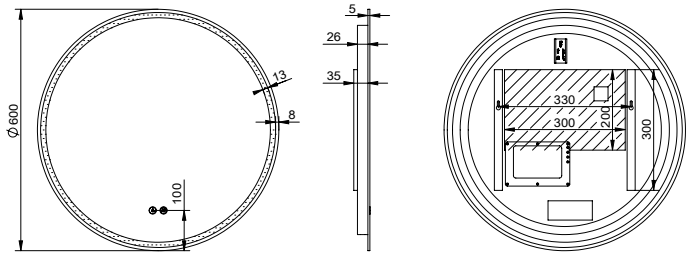
Sphere [RSP60]

- Ø 600
- RRP: \$ 439



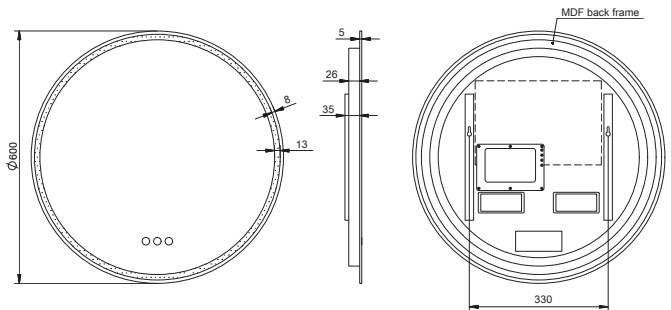
Sphere D [RSP60D]

- Ø 600
- Demister
- RRP: \$ 499








Sphere Premium [RSP60]

- Ø 600
- Demister
- Bluetooth
- Colour Temperature Change
- RRP: \$ 849



Aluminium Coloured Frame Options

	RFS60BLK	Aluminium Frame - Matt Black	\$ 120
	RFS60GM	Aluminium Frame - Gun Metal	
	RFS60BN	Aluminium Frame - Brushed Nickel	
	RFS60BB	Aluminium Frame - Brushed Brass	
	RFS60RG	Aluminium Frame - Rose Gold	

Sizes are in mm and nominal and should be checked prior to installation.

Aluminium coloured frames are made-to-order. Please allow 3 days lead time.

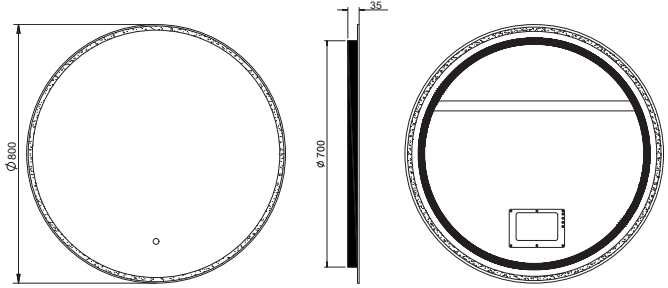
SPHERE

Size: 800

Sphere [RSP80]

- Ø 800

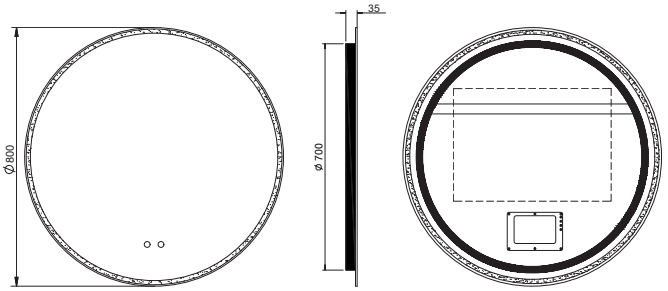
RRP: \$ 599



Sphere D [RSP80D]

- Ø 800
- Demister

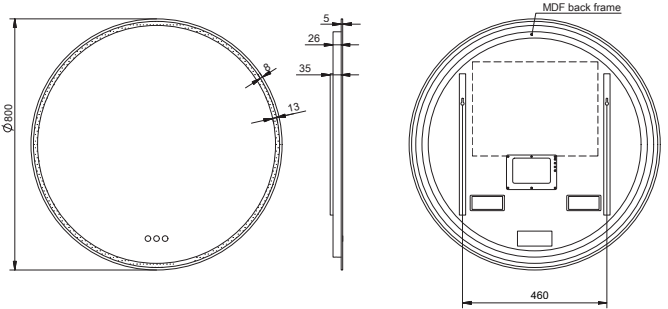
RRP: \$ 659








Sphere Premium [RSP80P]

- Ø 800
- Demister
- Bluetooth
- Colour Temperature Change

RRP: \$ 1,059



Aluminium Coloured Frame Options

	RFS80BLK	Aluminium Frame - Matt Black	\$ 180
	RFS80GM	Aluminium Frame - Gun Metal	
	RFS80BN	Aluminium Frame - Brushed Nickel	
	RFS80BB	Aluminium Frame - Brushed Brass	
	RFS80RG	Aluminium Frame - Rose Gold	

Sizes are in mm and nominal and should be checked prior to installation.

Aluminium coloured frames are made-to-order. Please allow 3 days lead time.

ECLIPSE

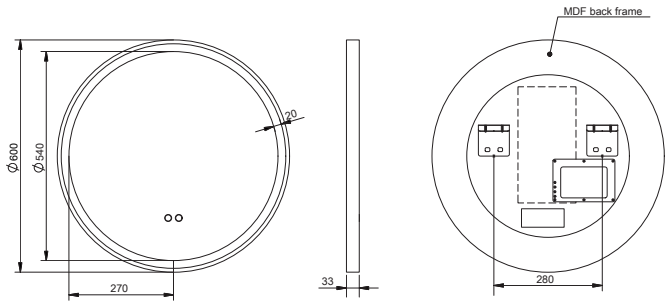
Size: 600

Eclipse White

[REC60WH]

- Ø 600
- Demister
- Colour Temperature Change
- MDF Frame (Matt White)

RRP: \$ 699

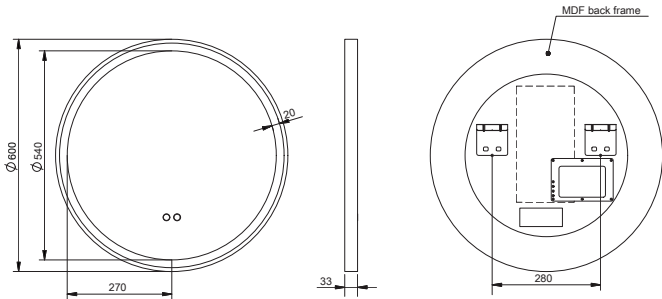


Eclipse Black

[REC60BLK]

- Ø 600
- Demister
- Colour Temperature Change
- MDF Frame (Matt Black)

RRP: \$ 699

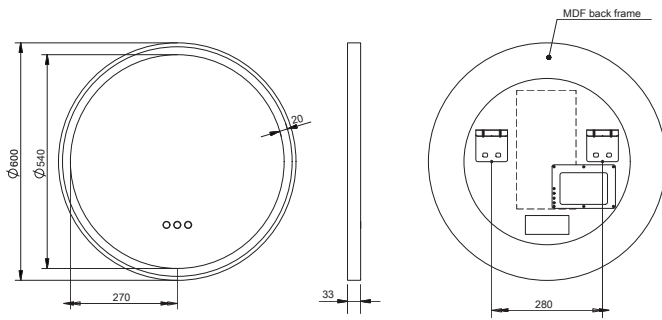


Eclipse Flex White

[RECF60WH]

- Ø 600
- Demister
- Colour Temperature Change
- Dimmable
- MDF Frame (Matt White)

RRP: \$ 799

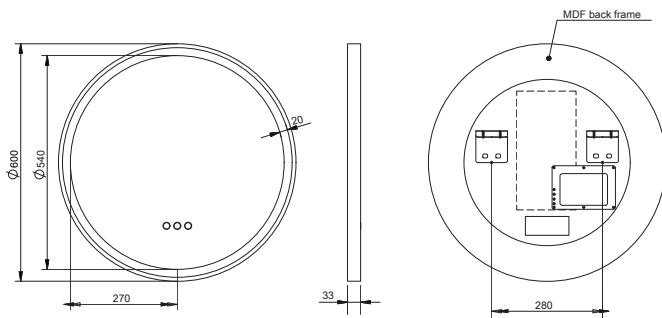


Eclipse Flex Black

[RECF60BLK]

- Ø 600
- Demister
- Colour Temperature Change
- Dimmable
- MDF Frame (Matt Black)

RRP: \$ 799



Sizes are in mm and nominal and should be checked prior to installation.

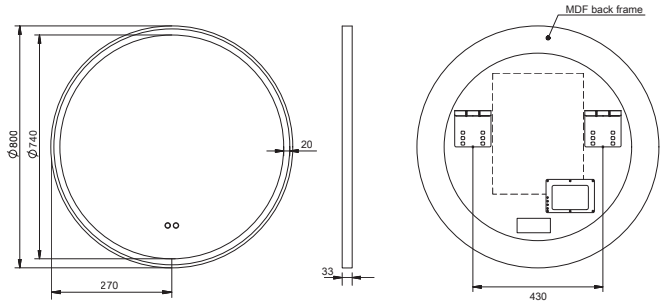
ECLIPSE

Size: 800

Eclipse White [REC80WH]

- Ø 800
- Demister
- Colour Temperature Change
- MDF Frame (Matt White)

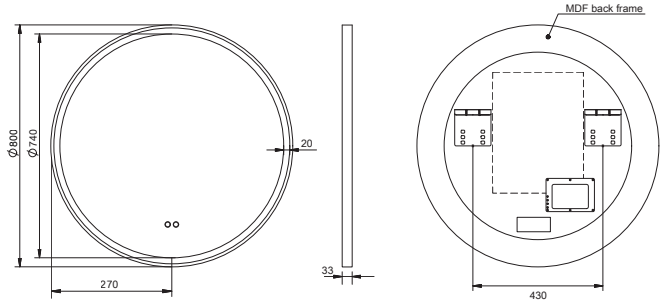
RRP: \$ 799



Eclipse Black [REC80BLK]

- Ø 800
- Demister
- Colour Temperature Change
- MDF Frame (Matt Black)

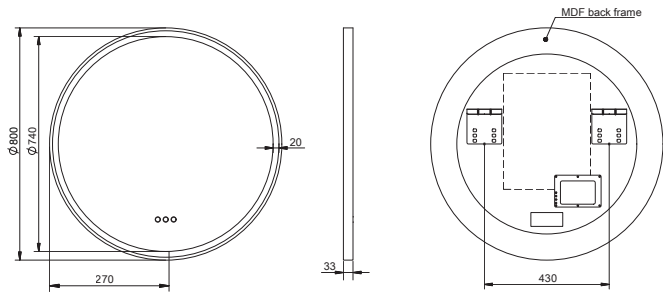
RRP: \$ 799



Eclipse Flex White [RECF80WH]

- Ø 800
- Demister
- Colour Temperature Change
- Dimmable
- MDF Frame (Matt White)

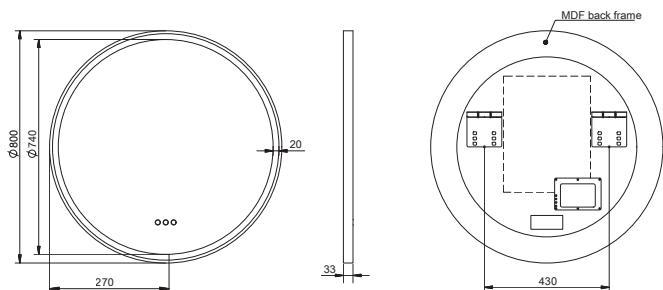
RRP: \$ 899



Eclipse Flex Black [RECF80BLK]

- Ø 800
- Demister
- Colour Temperature Change
- Dimmable
- MDF Frame (Matt Black)

RRP: \$ 899



Sizes are in mm and nominal and should be checked prior to installation.

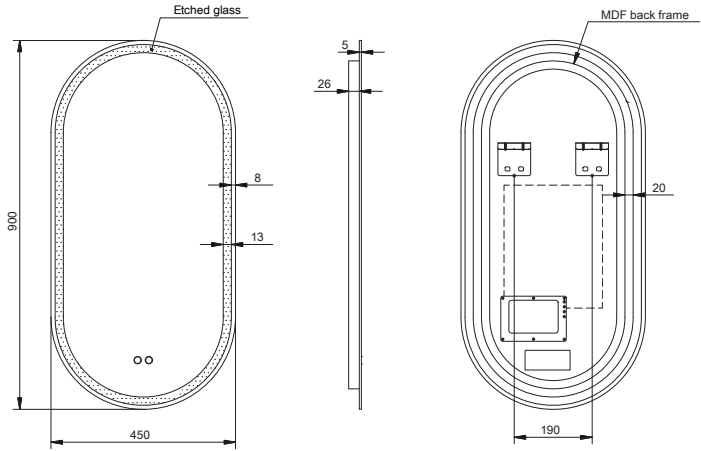
GATSBY

Size: 450






Gatsby [RGA45]

- 450 x 900
- Demister

RRP: \$ 589



Aluminium Coloured Frame Options

	RFG45BLK	Aluminium Frame - Matt Black	\$ 200
	RFG45GM	Aluminium Frame - Gun Metal	
	RFG45BN	Aluminium Frame - Brushed Nickel	
	RFG45BB	Aluminium Frame - Brushed Brass	
	RFG45RG	Aluminium Frame - Rose Gold	



Sizes are in mm and nominal and should be checked prior to installation.

Aluminium coloured frames are made-to-order. Please allow 3 days lead time.

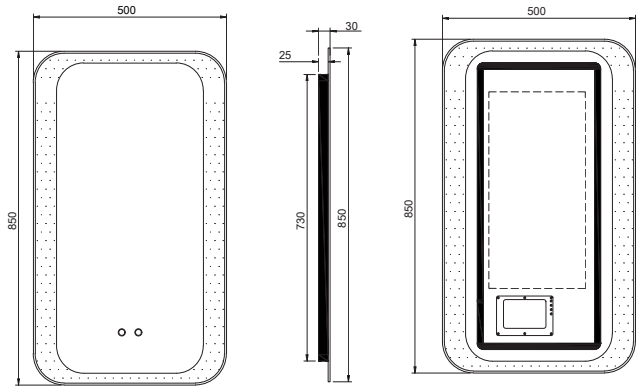
OTIS

Size: 500

Otis
[R60017]

- 500 x 850
- Demister

RRP: \$ 439

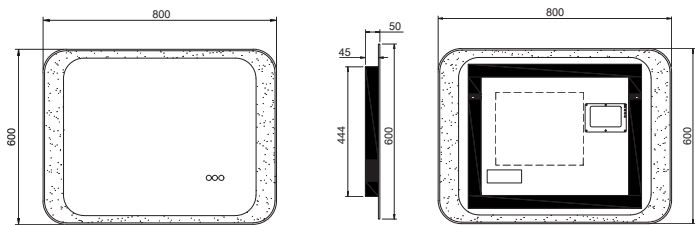


Size: 800

Otis Premium
[R60018]

- 800 x 600
- Demister
- Bluetooth

RRP: \$ 739



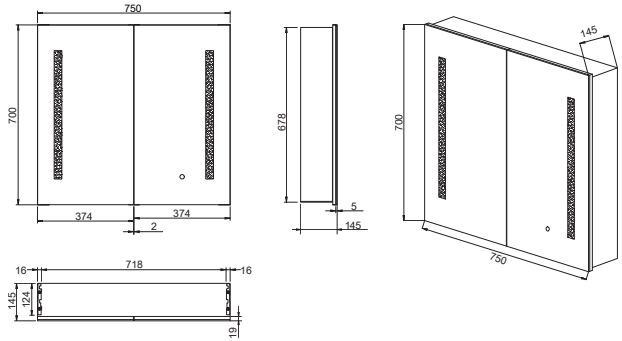
AMBER

Size: 750

Amber [RSCAM75]

- 750 x 700
- Depth: 145
- Demister

RRP: \$ 1,429

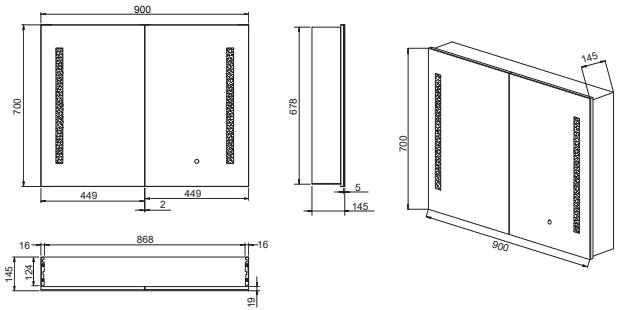


Size: 900

Amber [RSCAM90]

- 900 x 700
- Depth: 145
- Demister

RRP: \$ 1,509

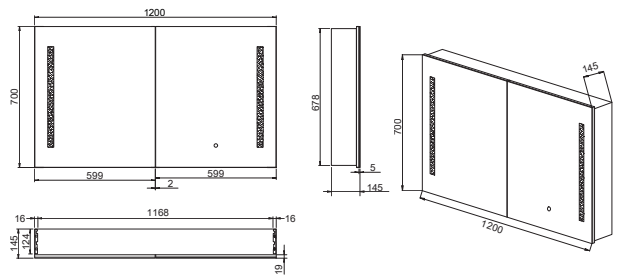


Size: 1200

Amber [RSCAM12]

- 1200 x 700
- Depth: 145
- Demister

RRP: \$ 1,989

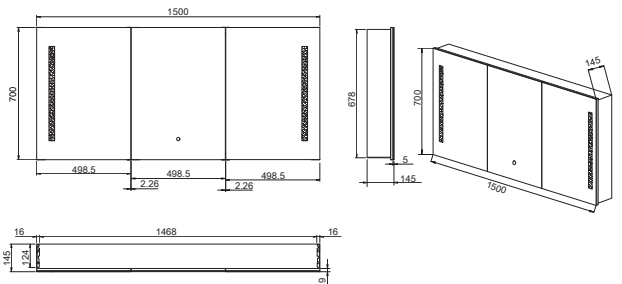


Size: 1500

Amber [RSCAM15]

- 1500 x 700
- Depth: 145
- Demister

RRP: \$ 2,409



Sizes are in mm and nominal and should be checked prior to installation.

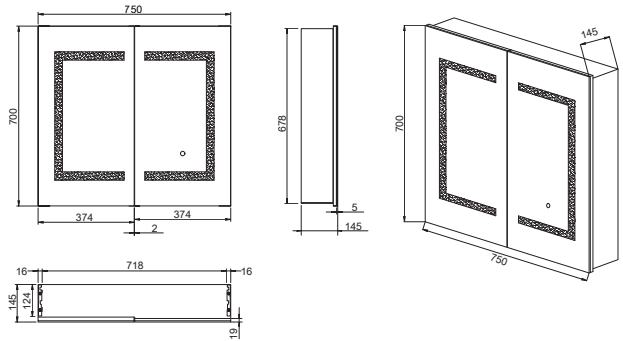
VERA

Size: 750

Vera [RSCVE75]

- 750 x 700
- Depth: 145
- Demister

RRP: \$ 1,509

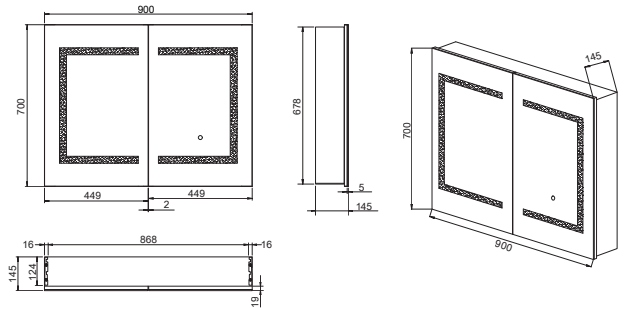


Size: 900

Vera [RSCVE90]

- 900 x 700
- Depth: 145
- Demister

RRP: \$ 1,619

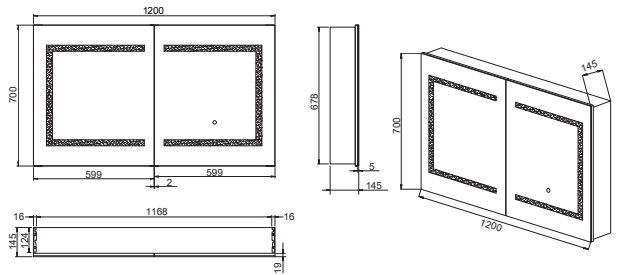


Size: 1200

Vera [RSCVE120]

- 1200 x 700
- Depth: 145
- Demister

RRP: \$ 2,279

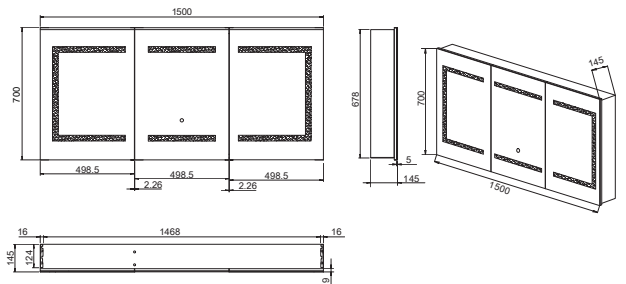


Size: 1500

Vera [RSCVE150]

- 1500 x 700
- Depth: 145
- Demister

RRP: \$ 2,709



Sizes are in mm and nominal and should be checked prior to installation.

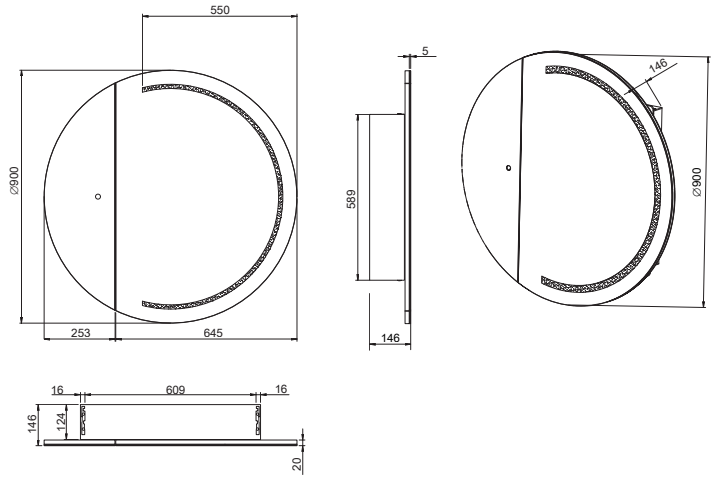
PEARL

Size: 900

Pearl [RSCPE90]

- Ø 900
- Depth: 146
- Demister

RRP: \$ 1,699



Prices are a guide only and subject to change without notice.

Please contact your local store for accurate pricing.

WARRANTY PERIODS

Remer mirrors and shaving cabinets are made to the highest industry standards and quality.

PRODUCT CATEGORY	WARRANTY PERIOD	WARRANTY PROVISIONS
MIRRORS	5 Years	5 Years Domestic Use 12 Months Commercial Use 12 Months Parts and Labour
SHAVING CABINETS	5 Years	5 Years Domestic Use - (Door alignment not included) 12 Months Commercial Use 12 Months Parts and Labour

WARRANTY CONDITIONS

REMER Warranty covers the repairs or, at Remer discretion, the replacement of any products which are defective through faulty workmanship or materials. The warranty period commences from date of purchase or for new buildings date of handover to a maximum period 6 months. The warranty is limited to the original purchaser and non-transferable. In order to make a warranty claim, Proof of Purchase (POP), handover documentation for new homes or equivalent documentation must be supplied for warranty claims to be considered. Claims must be processed through REMER Customer Service and each credit claim will be is sued with a claim number which is recorded on the REMER systems. REMER will not be liable for any claims for labour, additional products or parts associated with alleged faulty product for work not approved in advanced by REMER in writing. Should any warranty claim be made and attended to by a REMER authorised Service Agent and that in the opinion of Service Agent or REMER the problem was from faulty installation or use of the goods in conjunction with products of another manufacturer or from some other cause other than a manufacturing defect to the goods for which REMER is responsible, REMER has the right to charge a service fee for each service staff attending the owner's premises where goods have been installed. REMER requires adequate access to products to undertake warranty repairs. REMER will not be responsible for any consequential damage or costs where adequate access to Product fitting and fixtures is not accessible.

EXCLUSION

THIS WARRANTY DOES NOT COVER THE FOLLOWING:

- (a) Inability to provide proof of purchase or equivalent documentation.
- (b) Any defect not related to Remer, including but not limited to the followings:
 - i. Defects caused by the user's own fault;
 - ii. Defects to the product caused by incorrect installation or installation not in accordance with the instructions manual provided;
 - iii. Defects to the product caused by Installation or part installation by any person other than a **Licensed Electrician** who is suitably qualified to install the product;
 - iv. Defects caused by use not in accordance with the instruction manual provided, accident, neglect or misuse;
 - v. Defects caused by abrasive cleaning material, products or methods not in accordance with the clearing instructions;
 - vi. Defects caused by faulty electrical supply, including power outage or surges;
- (c) General wear and tear from normal domestic use, including scratches caused by cleaning;
- (d) Costs of repairs or alteration carried out by an unauthorised repairer without Remer's written permission or costs of correcting such unauthorised repairs;
- (e) Repairs when the product has been repaired or dismantled by other than authorized repairers;
- (f) Subject to your statutory rights, you will not be entitled to any indirect or consequential losses suffered caused by a defect in the product;
- (g) Damages to finishes which arise from installation or post installation use.
- (h) Evidence cannot be produced which confirms that the relevant product was purchased from a Remer Tapware authorised distributor.

REMER

For more information visit

remer.com.au

Ph: (03) 9706 6663

13 - 15 Edison Road
Dandenong South
VIC, 3175

